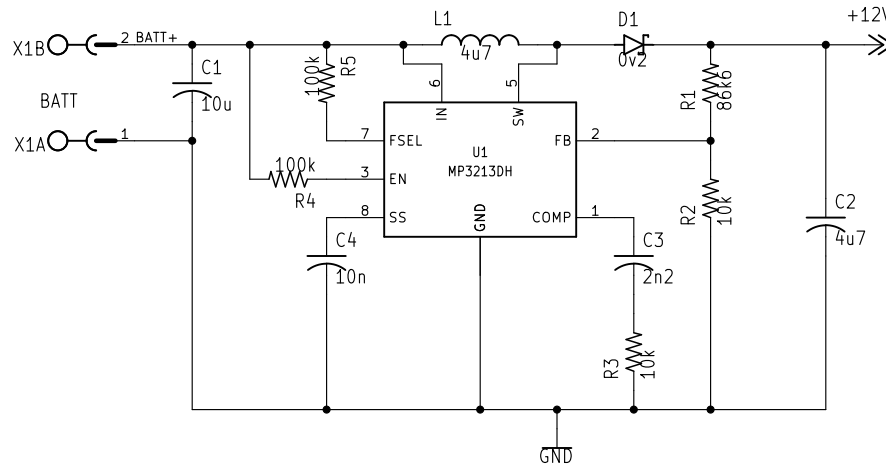


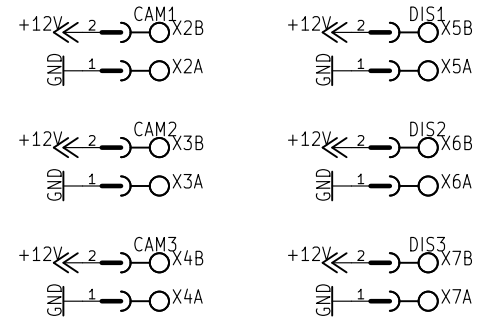
12V Power Distribution Board For Blueshift – HPVDT UofT

Circuit Design / PCB Layout:
Savo Bajic

12V 3.5A Boost Regulator
Takes in battery voltage that is less than 12V and boosts it.
Designed for ~10V batteries/input



Connectors and Mounting Holes
Connectors to distribute 12V to each camera and display pairing
M3 holes to mount the board
Note: all connectors have GND connected at pin 1, 12V at 2



H1
MOUNT-HOLE3.3

H2
MOUNT-HOLE3.3