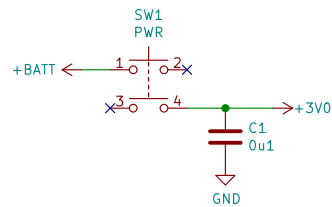
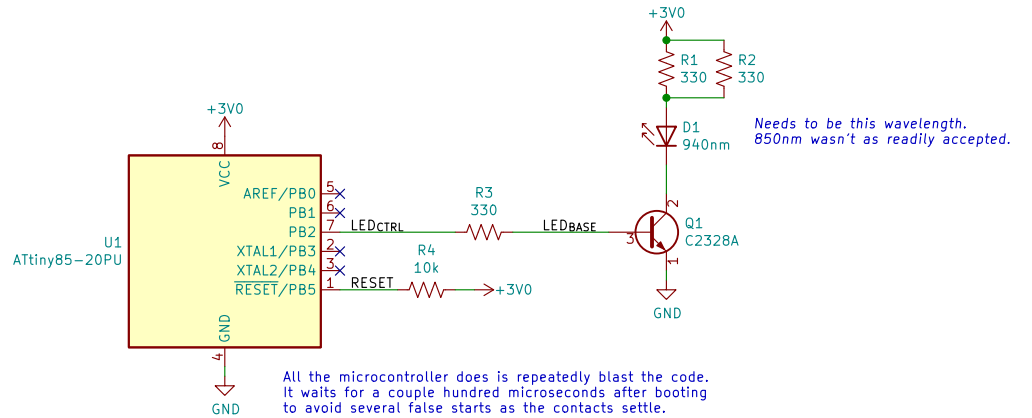




Battery moved to board



The ultimate power saving technique, completely disconnecting power when not in use.



Key ring hole



Entry fob for a previous building I lived in  
 A redo of my previous design which used a dangling 9V battery  
 Fixed the switch connections  
 More compact and discrete overall, but decreased range

**Title: Entry Fob**

Savo Bajic	Date: 2022-02-15	Rev: 2.1
KiCad E.D.A. kicad 6.0.1-79c1e3a40b-116-ubuntu21.04.1	Size: USLetter	Sheet: 1/1