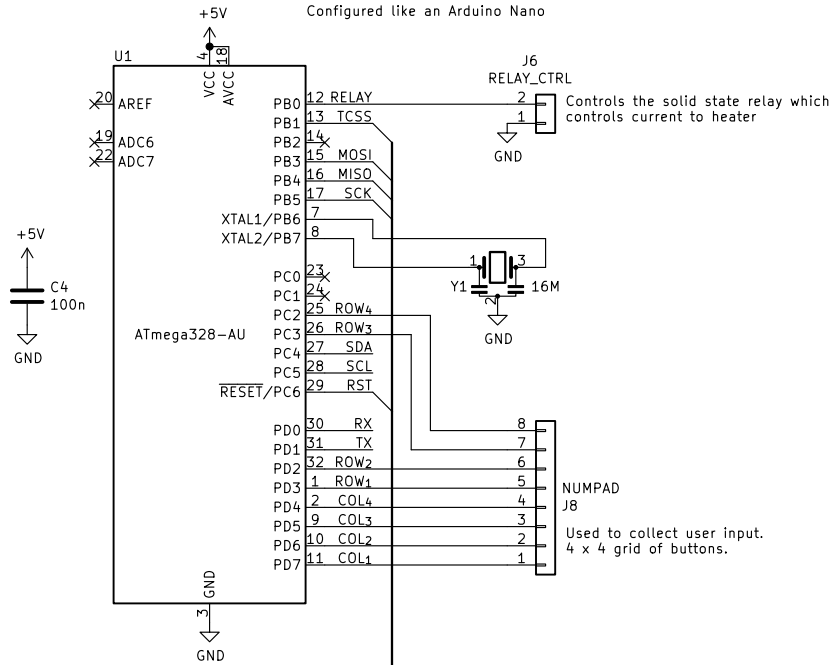
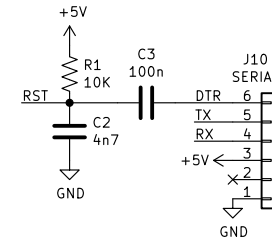


## Microcontroller

Configured like an Arduino Nano



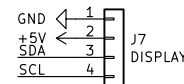
## Serial Programming Header



Added to allow potentially "Arduino"-like programming experience

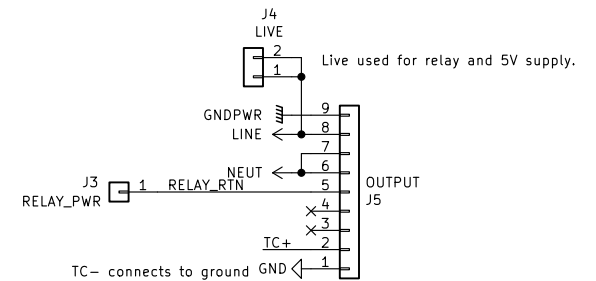
## Display Connection

An LCD character display with 20 columns and 4 rows. Only user output interface for the system.



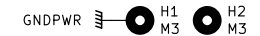
## 120V Zone

Terminal block where all connections are made. All are at 120VAC, except for the thermocouple terminals.



J1 NEUTRAL 1 → NEUT  
Return from 5V adapter

One bolt is used to ground chassis



General purpose oven board  
Intended to control a heater to achieve a two step curing process

Uses a K-Type thermocouple

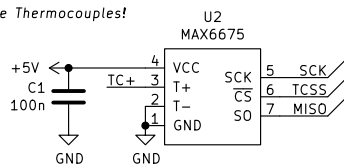
## Title: Oven

HPVDT Date: 2021-06-01 Rev: 1.1  
KiCad E.D.A. kicad 6.0.1-79c1e3a40b-116-ubuntu21.04.1 Size: USLetter Sheet: 1/1

## Thermocouple IC

Used to read in temperature of oven

K-Type Thermocouples!



## 5V Input

Connects to the output of a USB charger. Can be disconnected and reconnected as needed.

