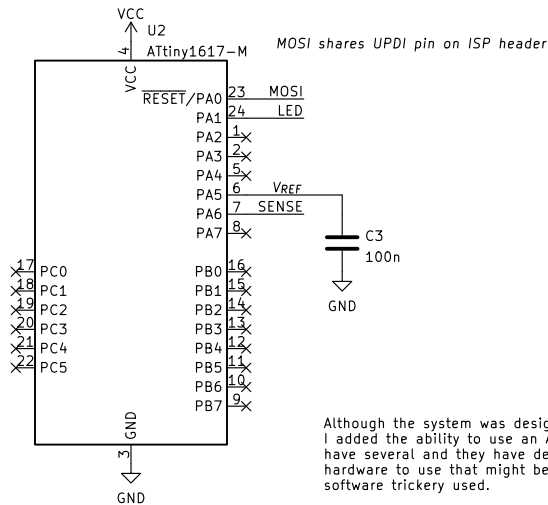
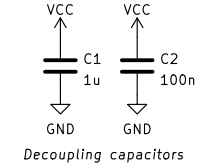
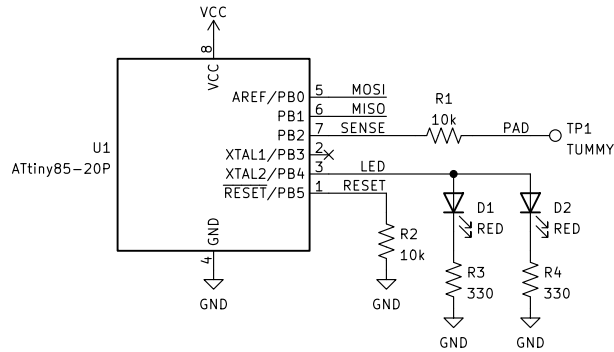
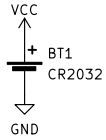


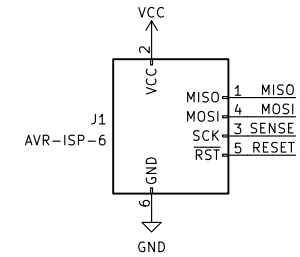


Uses a SMT footprint so I don't mess up the art

Power is supplied by a single CR2032 battery, no regulator or protection.



Although the system was designed for the ATtiny85, I added the ability to use an ATtiny1617 since I have several and they have dedicated touch detection hardware to use that might be better than the software trickery used.



A small circuit to be handed out as a gift

Although originally designed for ATtiny85, allows for ATtiny1617

Title: Capacitive Sensing Raccoon

Savo Bajic

Date: 2022-02-13

Rev: 2

KiCad E.D.A. eeschema 6.0.1-79c1e3a40b-116-ubuntu21.04.1

Size: USLetter

Sheet: 1/1