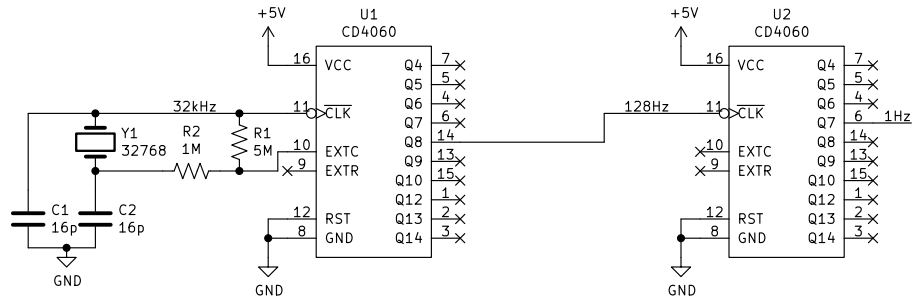


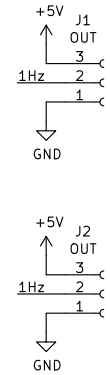
Power Delivery

Power for the whole clock is delivered here by a mini-USB. C5 and C6 act as smoothing capacitors for the 5V line. C3 and C4 are decoupling for U1 and U2 to ensure stable clock.



Clock Source

A 32 768 Hz crystal is used to provide a stable base signal which is divided by 256 and then once again by 128 to output a stable, accurate 1 Hz for the clock.



Connectors

Proved power and the 1 Hz signal to the rest of the clock.

Accepts power via USB and produces 1Hz for the clock system			
Title: Clock Signal + Power Module			
Savo Bajic	Date: 2021-11-28	Rev: 1	
KiCad E.D.A. kicad 6.0.1-79c1e3a40b-116-ubuntu21.04.1	Size: USLetter	Sheet: 1/1	